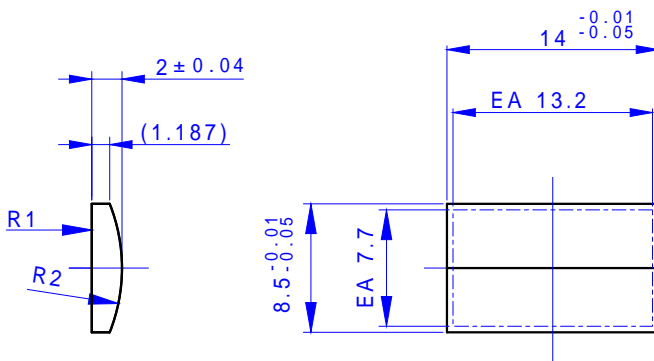


Confidential

見積用図面



	曲率半径R	Ne	Coating
R1	Infinity	0 -5 (1)	AR(注1)
CYR2	11.519	0 -5 (1)	AR(注1)
材質	BSC7	Nd=1.51680 ± 50 Vd=64.20 ± 0.7 相当品	

- 注1) ARコートは、440nm ~ 650nm R 0.5%
- 2) 外觀規格MIL60-40
- 3) 稜線保護面取りC0.3以下
- 4) 母線と面の傾きはTBD

\*The chemical substances contained in this part should be managed according to the [LST Green Procurement Standard].

TOLERANCE		GRADE:1	Angle ± 30	FINISH	REMARKS	COMPANY
L < 6				図中記		Light Show Technology Co.,Ltd
6	L < 30					
30	L < 120					
120	L < 400					
400	L					
SUFFIX	DATE	CHANGE HISTORY			PART NAME	
					SPOTLENS : CY1	
APPROVED BY	NAME	DATE	MATERIAL		PART NUMBER	
CHECKED BY			図中記		LSTA7-12014	
PLANNED BY	S.TAGUCHI	2022/04/06			A4	
DRAWN BY	S.TAGUCHI	2022/04/06	MASS :	SCALE 2:1		SHEET 1/1